

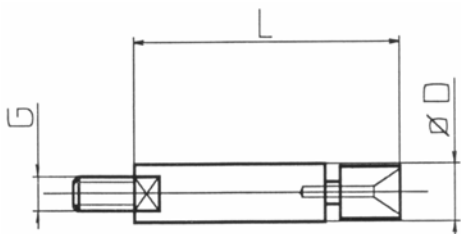
Revolving-Ends Collets for barfeeders

Tools for automatic lathe and CNC machines



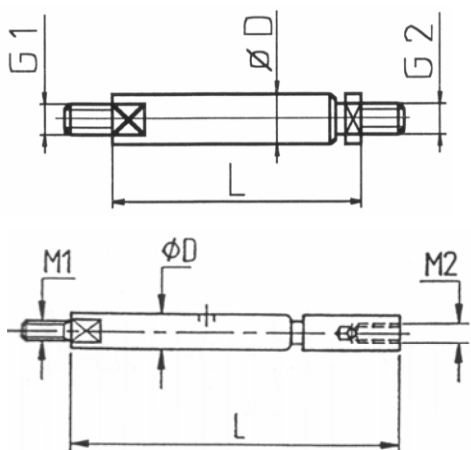
Revolving-Ends

Revolving End-Pieces for Pushrods



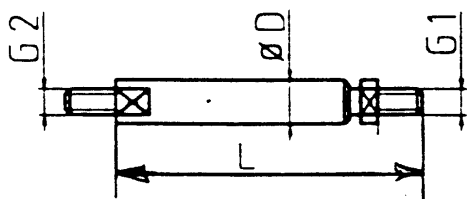
Art. No.	D	L	G	
ESB 0450	4.5	40.5	M3.5	
ESB 0700	7.0	40.5	M5	
ESB 0750	7.5	43	M5	
ESB 1000	10.0	52	M6	
ESB 1100	11.0	49	M6	
ESB 1200	12.0	48	M6	
ESB 1400	14.0		M8	
ESB 1600	16.0	80	M10	
ESB 2000	20.0	80	M10	

Revolving End-Pieces for Tornos Barfeeders / Barboy



Art. No.	D	L	G1	G2
ERT 0450	4.5	54	M3	M3
ERT 0550	5.5	54	M3	M3
ERT 0700	7.0	45.5	M4	M5
ERT 0750	7.5	45.5	M4	M5
ERT 0850	8.5	45.5	M5	M5
ERT 1050	10.5	51	M6	M6
ERT 1200	12.0	51	M6	M6
ERT 1500	15.0	70	M7	M6
ERT 2000	20.0	72	M7	M8

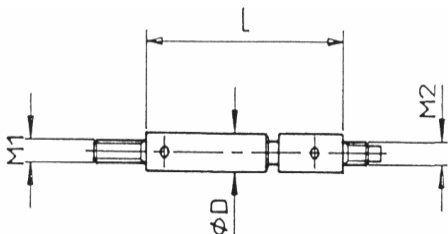
Revolving End-Pieces for Caddie Barfeeders



Art. No.	D	L	G1	G2
ERC 0950	9.5	72	M6	M6
ERC 1050	10.5	72	M6	M6
ERC 1250	12.5	72	M6	M6
ERC 1500	15.0	92	M7	M6
ERC 1650	16.5	92	M8	M8

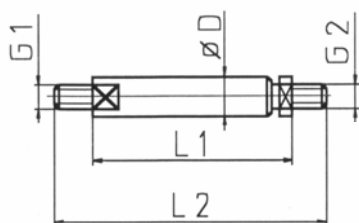
Revolving-Ends ...

Revolving End-Pieces for Multibar Bechler Barfeeders



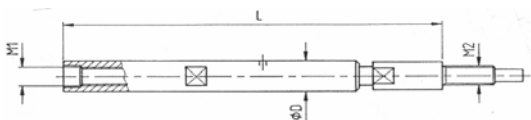
Art. No.	D	L	M1	M2
ERB 0450	4.5	37.5	M3	M2.5
ERB 0500	5	58.5	M3.5	M3
ERB 0550	5.5	37.5	M4	M3.5

Revolving End-Pieces for Multibar Bechler and Béchet



Art. No.	D	L1	L2	G1	G2
ERB 0700	7	38.5	60	M5	M4
ERB 0700	7	61	83	M5	M4
ERB 1000	10	59	86	M6	M5
ERB 1000	10	75	102	M6	M5
ERB 1200	12	64	90	M8/M6	M5
ERB 1200	12	94	122	M8/M6	M5
ERB 1600	16	84		M12	M6
ERB 2000	20	84		M16	M8x1

Revolving End-Pieces for IEMCA Barfeeders



Art. No.	D	L	M1	M2
ERI 0550	5.5	69	$\phi 4.5$ H7	M4
ERI 0750	7.5	122	M6 x 0.75	M5 x 0.5
ERI 1000	10	110	M8 x 0.75	M6 x 0.75
ERI 1200	12	110	M8 x 0.75	M7 x 0.75
ERI 1500	15	110	M8 x 0.75	M8 x 1
ERI 1600	16	110	M8 x 0.75	M8 x 1
ERI 1800	18	110	M8 x 0.75	M8 x 1
ERI 2000	20	110	M14 x 1.5	M10 x 1

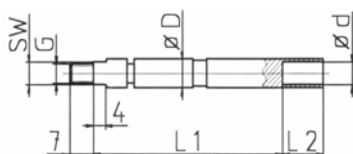
Revolving-Ends ...

Revolving End-Pieces for IEMCA Mini-Boss



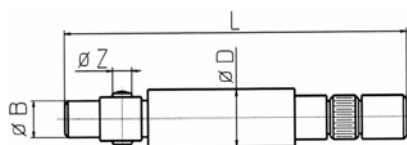
Art. No.	D	L
ERI 1200-L	12	115

Revolving End-Pieces for Traub – FMB - Hagenuk



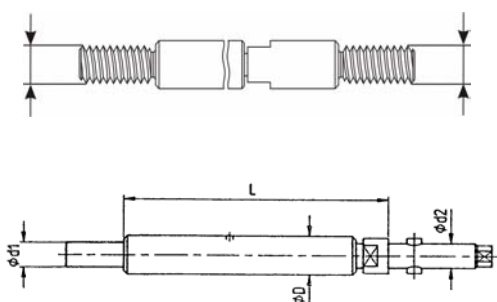
Art. No.	D	L	G
ERTA 0550	5.5	69	M4
ERTA 0700	7	78.5	M5

Revolving End-Pieces for FMB – Hagenuk – Traub <D15 – Robobar (D 5.5 – 7.5)



Art. No.	D	B	Z	L
SPHLD 10H	10	8	6	100.5
SPHLD 12H	12	8	6	100.5
SPHLD 15H/T	15	12	6	102.5
SPHLD 18H/T	18	12	6	102.5
SPHLD 20H/T	20	14	8	112.5
SPHLD 25H/T	25	20	8	118

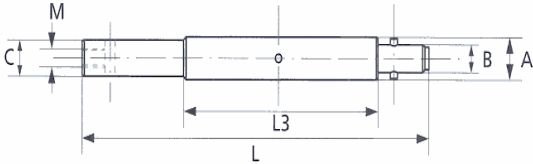
Revolving End-Pieces for Tornos Robobar



Art. No.	D	d1	d2	L
SPHLD 5.5R	5.5	M3	M4	78
SPHLD 7.5R	7.5	M5	M5	78
SPHLD 10R	10.5	7	7	75
SPHLD 16R	16	10	11	120
SPHLD 18R	18	10	11	120
SPHLD 21R	21	14	14	120
SPHLD 25R	25	20	20	120
SPHLD 26R	26	20	20	120
SPHLD 36R	36	25	20	120

Revolving-Ends ...

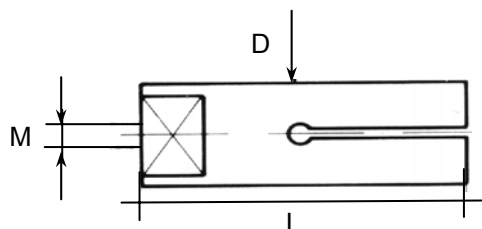
Revolving End-Pieces for LNS Minisprint & Express



Art. No.	A	B	C	L3	L	M
LNS 10	10	7h7	8h7	42	95	M4
LNS 12	12	8h7	8h7	42	95	-
LNS 15	15	12h7	12h7	42	96	M5
LNS 18	18	12h7	12h	42	96	-
LNS 20	20	17h7	17h	46	111	M8

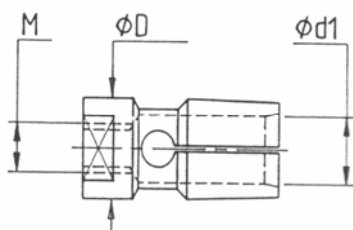
Collet grippers

Collets for Tornos Super-Télébar and Barboy (poss. Béchet)



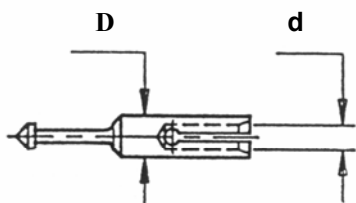
Art. No.	D	d	Thread	M	L
SPHT 45	4.5	M3	outside	M3	31
SPHT 55	5.5	M3	outside	M3	31
SPHT 75	7.5	7.5	inside	M4	30
SPHT 85	8.5	8.5	inside	M5	30
SPHT 105	10.5	10.5	inside	M6	35
SPHT 12	12	12	inside	M6	35
SPHT 15	15	15	inside	M6	35
SPHT 165	16.5	16.5	inside	M8	35
SPHT 205	20.5	20.5	inside	M8	35

Collets for Caddie Barfeeders



Art. No.	D	d1	M
SPHC 95	9.5	2 – 8 mm	M6
SPHC 105	10.5	3 – 9 mm	M6
SPHC 125	12.5	4 – 11 mm	M6
SPHC 150	15.0	5 – 13 mm	M6
SPHC 160	16.0	5 – 14.5 mm	M8
SPHC 175	17.5	5 – 16 mm	M8

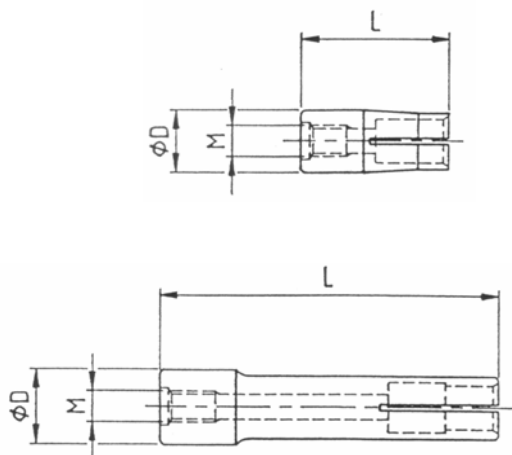
Clamping finger for TORNOS Télébar



Art. No.	D	d
SPHTE 45	4.50	0.90 - 3.50
SPHTE 55	5.50	0.90 - 4.50
SPHTE 75	7.50	1.50 - 6.50

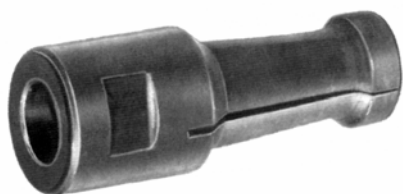
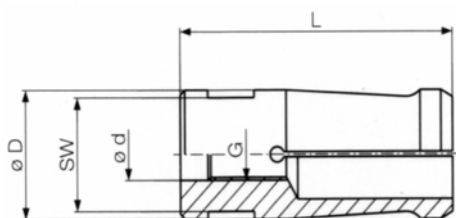
Collet grippers ...

Collets for Bechler Barfeeders



Art. No.	Type	D	L (mm)	M
SPHB 45	320	4.5	22	M2.5
SPHB 50	3000-H	5.0	22	M3
SPHB 55	65-5.5	5.5	22	M3.5
SPHB 70	65 / 73	7.0	22	M4
SPHB 10	65 / 73	10	26	M5
SPHB 12C	65 / 73	12	26	M5
SPHB 12L	12 long	12	60	M5
SPHB 13L	13 long	13	60	M6
SPHB 16C	16 short	16	30	M6
SPHB 16L	16 long	16	60	M6
SPHB 20C	20 short	20	30	M8x1
SPHB 20L	20 long	20	60	M8x1

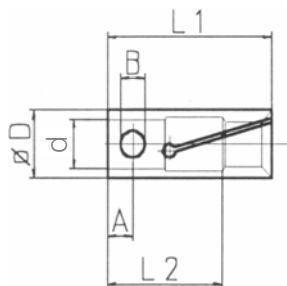
Collets for IEMCA Barfeeders



Art. No.	D	L	G	Bar diam.
SPHI 45	4.5	37	M3x0.5	1 – 3.4
SPHI 55	5.5	37	M4	1 – 4.4
SPHI 07	7.0	40	M5x0.5	1 – 5.9
SPHI 75	7.5	40	M5x0.5	1 – 6.4
SPHI 10	10.0	40	M6x0.7	1 – 8.9
SPHI 12	12.0	42	M7x0.7	1 – 10.9
SPHI 15	15.0	42	M8x1	2 – 13.8
SPHI 16	16.0	42	M8x1	3 – 14.8
SPHI 18	18.0	42	M8x1	3 – 16.5
SPHI 20	20.0	59	M10x1	3 – 18.5
SPHI 23	23.0	59	M10x1	6 – 21.5
SPHI 25	25.0	59	M10x1	6 – 23.5

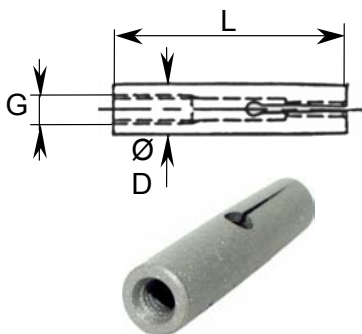
Collet grippers ...

Collets for Barfeeders FMB – Robobar - Traub – Hagenuk – lemca – LNS – Sameca



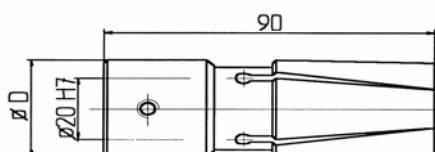
Art. No.	D	d	L	Bar diam.	
SPH 05	5	M4	37	1 – 4.5	
SPH 07	7	M5	37	1 – 5.9	
SPH 07	7	M5	37	6	USA
SPH 10	10	7	40	2 – 8.9	
SPH 10	10	7	40	9	USA
SPH 12	12	8	40	2 – 10.8	
SPH 12	12	8	40	10.9 – 11	USA
SPH 15	15	11	40	2 – 13.8	
SPH 15	15	11	40	13.9 – 14	USA
SPH 16	16	11	40	2.5 – 14.8	
SPH 18	18	11	40	2.5 – 16.8	
SPH 20	20	14	65	4 – 18.5	
SPH 25	25	20	65	6 – 23.5	
SPH 32	32	20	65	8 - 30	

Collets for Barfeeders LNS Tryton – 2000 series



Art. No.	D	G	L (mm)	Bar diam.
SPHL 06	6	M4	30	1.5 – 4.9
SPHL 07	7	M4	30	1.5 - 5
SPHL 10	10	M5	30	2 – 9
SPHL 127	12.70	M6	30	2 – 11
SPHL 17	17	M8	35	4 – 15
SPHL 20	20	M10	35	5 - 18

Collets for Barfeeders FMB – Robobar – Traub – Hagenuk – lemca – LNS – Sameca



Art. No.	D	L	Bar diam.
SPHTS 25	25	90	3 – 20
SPHTS 32	32	90	5 – 29.5
SPHTS 36	36	90	5 - 30

v E 2.1.0# / 09.06.06