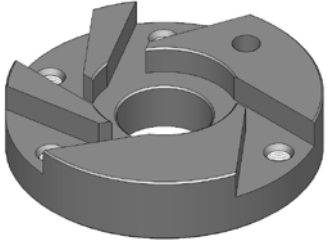
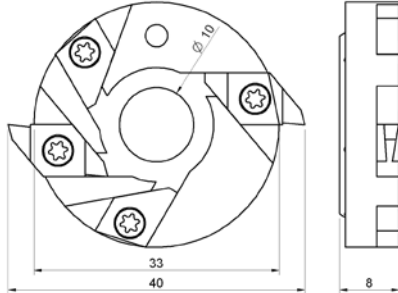



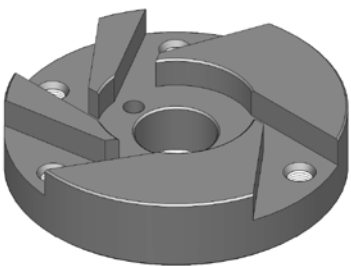
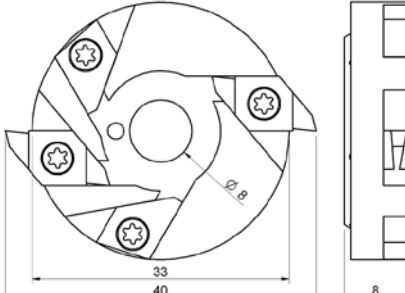



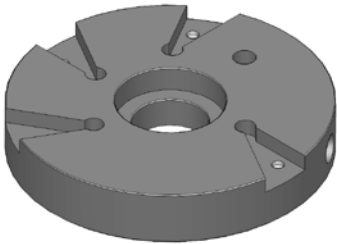
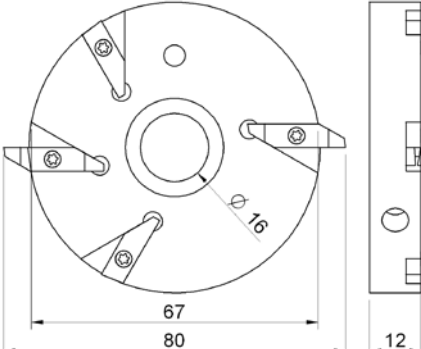
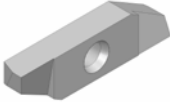

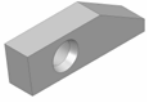
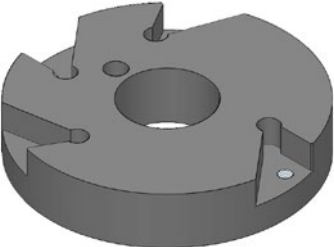
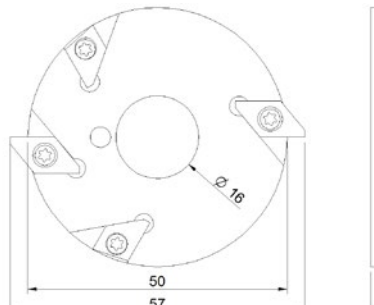
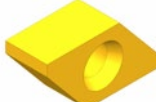


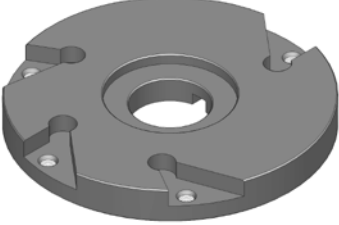
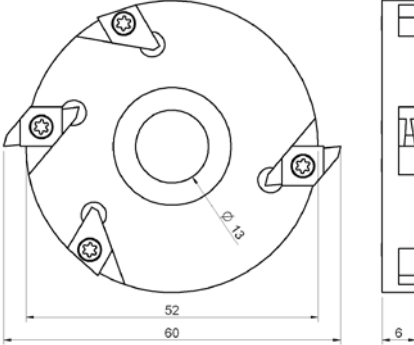










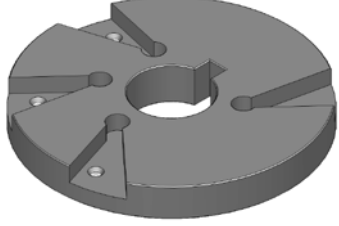
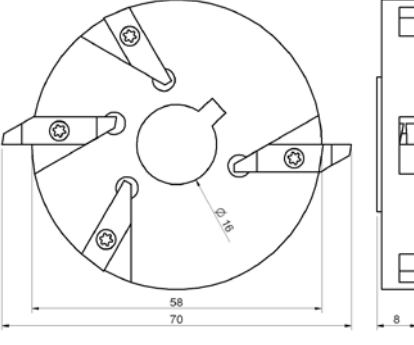
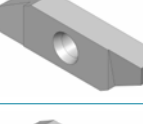
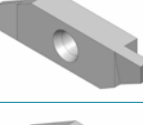

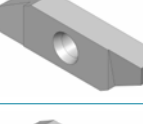
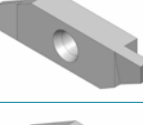

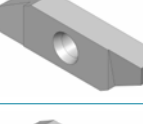
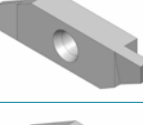


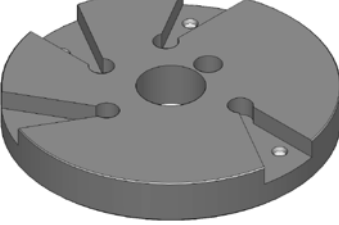
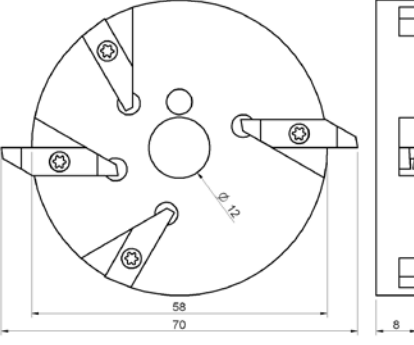
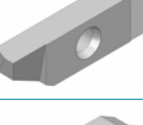

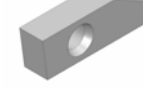
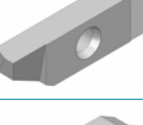

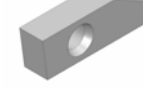
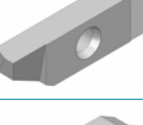

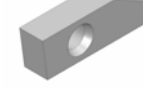
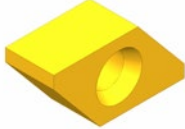
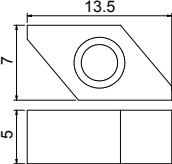

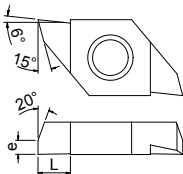

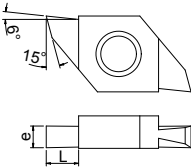
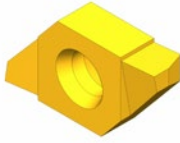
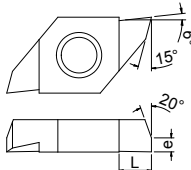

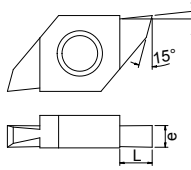
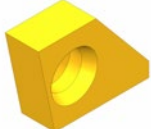
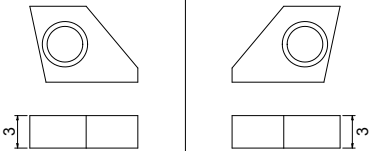
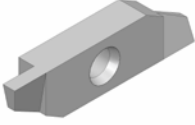
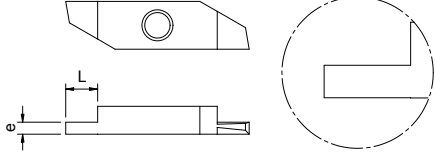
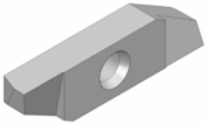
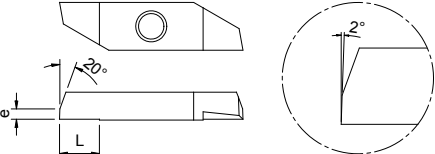
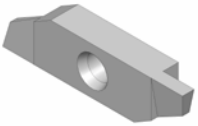
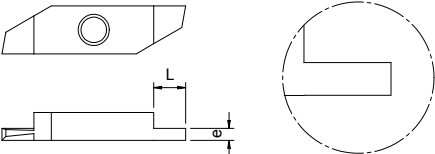
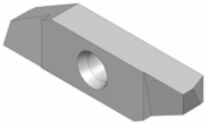
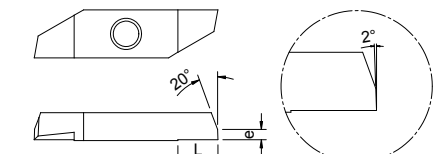
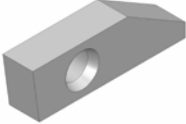
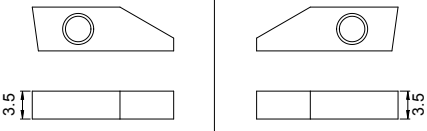


310R TORNOS	Tornos Deco 7/10	Use with inserts Passende Wendeplatten Utilisation avec plaquettes
		 371R  371R2,0  372R/L
313R TORNOS	Tornos Micro 7 Tornos SwissNano	Use with inserts Passende Wendeplatten Utilisation avec plaquettes
		 371R  371R2,0  372R/L
320R TORNOS	Tornos Deco 13/20/26 Tornos ST 26	Use with inserts Passende Wendeplatten Utilisation avec plaquettes
		 064RPP3,5  060RPP2,0  041R/L
380R TORNOS	Tornos SAS 16 ; SAS DC ; SAS 16.6	Use with inserts Passende Wendeplatten Utilisation avec plaquettes
		 340R5  372R/L

<p>311L </p>	<p>Star SR-20</p>	<p>Use with inserts Passende Wendeplatten Utilisation avec plaquettes</p>						
		<table border="1"> <tbody> <tr> <td data-bbox="1007 387 1166 510"></td> <td data-bbox="1257 432 1305 454">371L</td> </tr> <tr> <td data-bbox="1007 517 1166 640"></td> <td data-bbox="1257 562 1329 584">371L2,0</td> </tr> <tr> <td data-bbox="1007 647 1166 770"></td> <td data-bbox="1257 692 1321 714">372R/L</td> </tr> </tbody> </table>		371L		371L2,0		372R/L
	371L							
	371L2,0							
	372R/L							
<p>322L </p>	<p>Star SR-32</p>	<p>Use with inserts Passende Wendeplatten Utilisation avec plaquettes</p>						
		<table border="1"> <tbody> <tr> <td data-bbox="1007 902 1166 1025"></td> <td data-bbox="1257 936 1353 958">064LPP3,5</td> </tr> <tr> <td data-bbox="1007 1032 1166 1155"></td> <td data-bbox="1257 1066 1353 1088">060LPP2,0</td> </tr> <tr> <td data-bbox="1007 1162 1166 1285"></td> <td data-bbox="1257 1196 1321 1218">041R/L</td> </tr> </tbody> </table>		064LPP3,5		060LPP2,0		041R/L
	064LPP3,5							
	060LPP2,0							
	041R/L							
<p>321R </p>	<p>Traub TNL 12</p>	<p>Use with inserts Passende Wendeplatten Utilisation avec plaquettes</p>						
		<table border="1"> <tbody> <tr> <td data-bbox="1007 1406 1166 1529"></td> <td data-bbox="1257 1440 1353 1462">064RPP3,5</td> </tr> <tr> <td data-bbox="1007 1536 1166 1659"></td> <td data-bbox="1257 1570 1353 1592">060RPP2,0</td> </tr> <tr> <td data-bbox="1007 1666 1166 1789"></td> <td data-bbox="1257 1700 1321 1722">041R/L</td> </tr> </tbody> </table>		064RPP3,5		060RPP2,0		041R/L
	064RPP3,5							
	060RPP2,0							
	041R/L							

340R5 	Blank insert, width 5 mm Rohling, Breite 5 mm Plaquette ébauche, largeur 5 mm 	<table border="1"> <thead> <tr> <th>e</th> <th>L</th> <th>Article nr. Artikel Nr. N° Article</th> <th colspan="3"></th> </tr> </thead> <tbody> <tr> <td>5</td> <td>-</td> <td>340R5</td> <td colspan="3"></td> </tr> </tbody> </table>	e	L	Article nr. Artikel Nr. N° Article				5	-	340R5				<table border="1"> <thead> <tr> <th colspan="3"></th> <th>K10</th> </tr> </thead> <tbody> <tr> <td colspan="3"></td> <td>✓</td> </tr> </tbody> </table>				K10				✓										
e	L	Article nr. Artikel Nr. N° Article																															
5	-	340R5																															
			K10																														
			✓																														
<p>Insert's profiles grinded according to customer requirements Wendeplattenprofil nach Kundenwunsch geschliffen Formes de profil meulées d'après les besoins du client</p>																																	
371R 	Front turning insert, right Drehplatte vorne, rechts Tourneur avant, à droite 	<table border="1"> <thead> <tr> <th>e</th> <th>L</th> <th>Article nr. Artikel Nr. N° Article</th> <th>K10</th> <th>BI90</th> <th>TIN</th> </tr> </thead> <tbody> <tr> <td>1,3</td> <td>3,0</td> <td>371R</td> <td>✓</td> <td>✓</td> <td>✓</td> </tr> </tbody> </table>	e	L	Article nr. Artikel Nr. N° Article	K10	BI90	TIN	1,3	3,0	371R	✓	✓	✓	<table border="1"> <thead> <tr> <th colspan="3"></th> <th>K10</th> <th>BI90</th> <th>TIN</th> </tr> </thead> <tbody> <tr> <td colspan="3"></td> <td>✓</td> <td>✓</td> <td>✓</td> </tr> </tbody> </table>				K10	BI90	TIN				✓	✓	✓						
e	L	Article nr. Artikel Nr. N° Article	K10	BI90	TIN																												
1,3	3,0	371R	✓	✓	✓																												
			K10	BI90	TIN																												
			✓	✓	✓																												
371R2,0 	Back turning insert, right Drehplatte hinten, rechts Tourneur arrière, à droite 	<table border="1"> <thead> <tr> <th>e</th> <th>L</th> <th>Article nr. Artikel Nr. N° Article</th> <th>K10</th> <th>BI90</th> <th>TIN</th> </tr> </thead> <tbody> <tr> <td>1,0</td> <td>3,0</td> <td>371R1,0</td> <td>✓</td> <td>✓</td> <td>✓</td> </tr> <tr> <td>2,0</td> <td>3,0</td> <td>371R2,0</td> <td>✓</td> <td>✓</td> <td>✓</td> </tr> </tbody> </table>	e	L	Article nr. Artikel Nr. N° Article	K10	BI90	TIN	1,0	3,0	371R1,0	✓	✓	✓	2,0	3,0	371R2,0	✓	✓	✓	<table border="1"> <thead> <tr> <th colspan="3"></th> <th>K10</th> <th>BI90</th> <th>TIN</th> </tr> </thead> <tbody> <tr> <td colspan="3"></td> <td>✓</td> <td>✓</td> <td>✓</td> </tr> </tbody> </table>				K10	BI90	TIN				✓	✓	✓
e	L	Article nr. Artikel Nr. N° Article	K10	BI90	TIN																												
1,0	3,0	371R1,0	✓	✓	✓																												
2,0	3,0	371R2,0	✓	✓	✓																												
			K10	BI90	TIN																												
			✓	✓	✓																												
371L 	Front turning insert, left Drehplatte vorne, links Tourneur avant, à gauche 	<table border="1"> <thead> <tr> <th>e</th> <th>L</th> <th>Article nr. Artikel Nr. N° Article</th> <th>K10</th> <th>BI90</th> <th>TIN</th> </tr> </thead> <tbody> <tr> <td>1,3</td> <td>3,0</td> <td>371L</td> <td>✓</td> <td>✓</td> <td>✓</td> </tr> </tbody> </table>	e	L	Article nr. Artikel Nr. N° Article	K10	BI90	TIN	1,3	3,0	371L	✓	✓	✓	<table border="1"> <thead> <tr> <th colspan="3"></th> <th>K10</th> <th>BI90</th> <th>TIN</th> </tr> </thead> <tbody> <tr> <td colspan="3"></td> <td>✓</td> <td>✓</td> <td>✓</td> </tr> </tbody> </table>				K10	BI90	TIN				✓	✓	✓						
e	L	Article nr. Artikel Nr. N° Article	K10	BI90	TIN																												
1,3	3,0	371L	✓	✓	✓																												
			K10	BI90	TIN																												
			✓	✓	✓																												
371L2,0 	Back turning insert, left Drehplatte hinten, links Tourneur arrière, à gauche 	<table border="1"> <thead> <tr> <th>e</th> <th>L</th> <th>Article nr. Artikel Nr. N° Article</th> <th>K10</th> <th>BI90</th> <th>TIN</th> </tr> </thead> <tbody> <tr> <td>2,0</td> <td>3,0</td> <td>371L2,0</td> <td>✓</td> <td>✓</td> <td>✓</td> </tr> </tbody> </table>	e	L	Article nr. Artikel Nr. N° Article	K10	BI90	TIN	2,0	3,0	371L2,0	✓	✓	✓	<table border="1"> <thead> <tr> <th colspan="3"></th> <th>K10</th> <th>BI90</th> <th>TIN</th> </tr> </thead> <tbody> <tr> <td colspan="3"></td> <td>✓</td> <td>✓</td> <td>✓</td> </tr> </tbody> </table>				K10	BI90	TIN				✓	✓	✓						
e	L	Article nr. Artikel Nr. N° Article	K10	BI90	TIN																												
2,0	3,0	371L2,0	✓	✓	✓																												
			K10	BI90	TIN																												
			✓	✓	✓																												
372R/L 	Balancing insert, right and left Auswuchplatte, rechts und links Plaquette d'équilibrage, à gauche et à droite 	<table border="1"> <thead> <tr> <th colspan="2"></th> <th>Article nr. Artikel Nr. N° Article</th> <th colspan="3"></th> </tr> </thead> <tbody> <tr> <td colspan="2"></td> <td>372R/L</td> <td colspan="3"></td> </tr> </tbody> </table>			Article nr. Artikel Nr. N° Article						372R/L				<table border="1"> <thead> <tr> <th colspan="3"></th> <th>K10</th> </tr> </thead> <tbody> <tr> <td colspan="3"></td> <td>✓</td> </tr> </tbody> </table>				K10				✓										
		Article nr. Artikel Nr. N° Article																															
		372R/L																															
			K10																														
			✓																														

<p>060RPP</p> 	<p>Back turning insert 0°, right Drehplatte hinten 0°, rechts Tourneur arrière 0°, à droite</p> 	<p>e L Article nr. Artikel Nr. N° Article</p> <p>2,0 4,5 060RPP2,0</p>	<p>B140 TIN</p> <p>✓ ✓</p>
<p>064RPP</p> 	<p>Front turning insert, right Drehplatte vorne, rechts Tourneur avant, à droite</p> 	<p>e L Article nr. Artikel Nr. N° Article</p> <p>1,5 5 064RPP3,5</p>	<p>B140 TIN</p> <p>✓ ✓</p>
<p>060LPP</p> 	<p>Back turning insert 0°, left Drehplatte hinten 0°, links Tourneur arrière 0°, à gauche</p> 	<p>e L Article nr. Artikel Nr. N° Article</p> <p>2,0 4,5 060LPP2,0</p>	<p>B140 TIN</p> <p>✓ ✓</p>
<p>064LPP</p> 	<p>Front turning insert, left Drehplatte vorne, links Tourneur avant, à gauche</p> 	<p>e L Article nr. Artikel Nr. N° Article</p> <p>1,5 5 064LPP3,5</p>	<p>B140 TIN</p> <p>✓ ✓</p>
<p>041R/L</p> 	<p>Balancing insert, right and left Auswuchplatte, rechts und links Plaquette d'équilibrage, à gauche et à droite</p> 	<p>Article nr. Artikel Nr. N° Article</p> <p>041R/L</p>	<p>K10</p> <p>✓</p>