



Quick change of cutting inserts

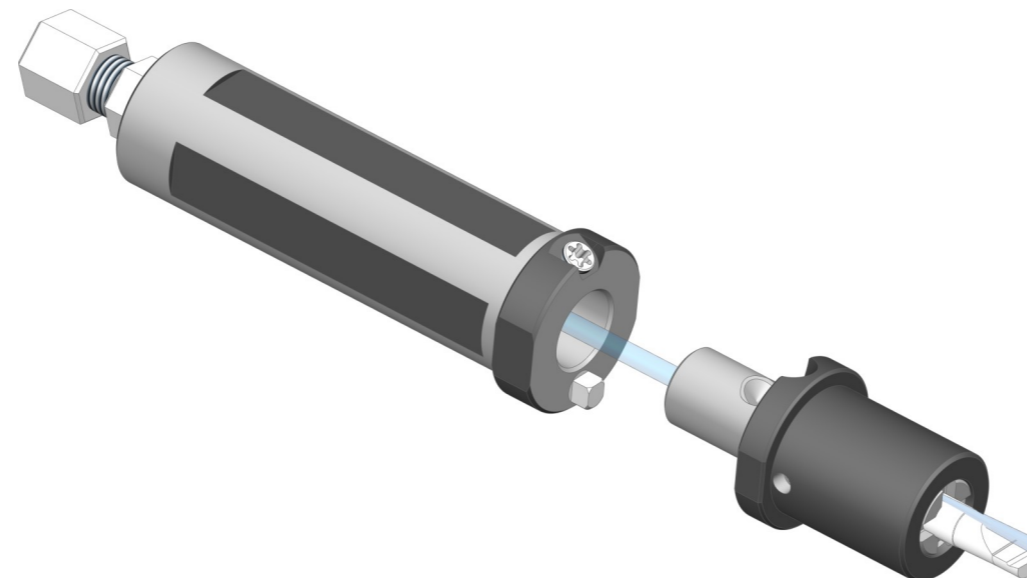
You use BIMU Quick Change, but need to machine a small inner diameter?

Ifanger MicroTurn designed the MTOC holder in $\text{\O}4$ & $\text{\O}6$ mm.

The solution to ease your operators' life!

Ifanger AG
Steigstrasse 4a
8610 Uster
Switzerland

Contact us +41 44 943 1616
info@ifanger.com
www.ifanger.com



Efficient. Reliable. Committed.

The name Ifanger represents quality, reliability and high customer value. These success factors are transmitted for our customers into suitable products that guarantee the highest level of precision, efficiency and profitability. This is achieved through sophisticated technical solutions, a high performance machine park and a qualified and committed team.