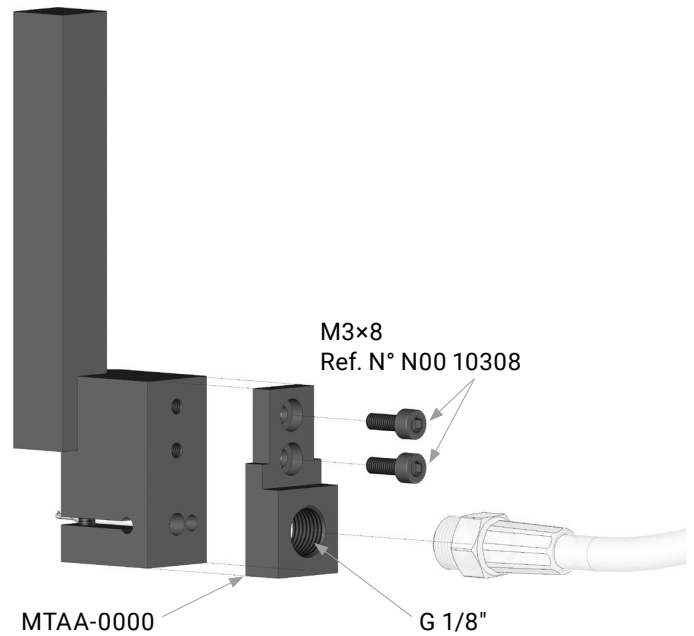
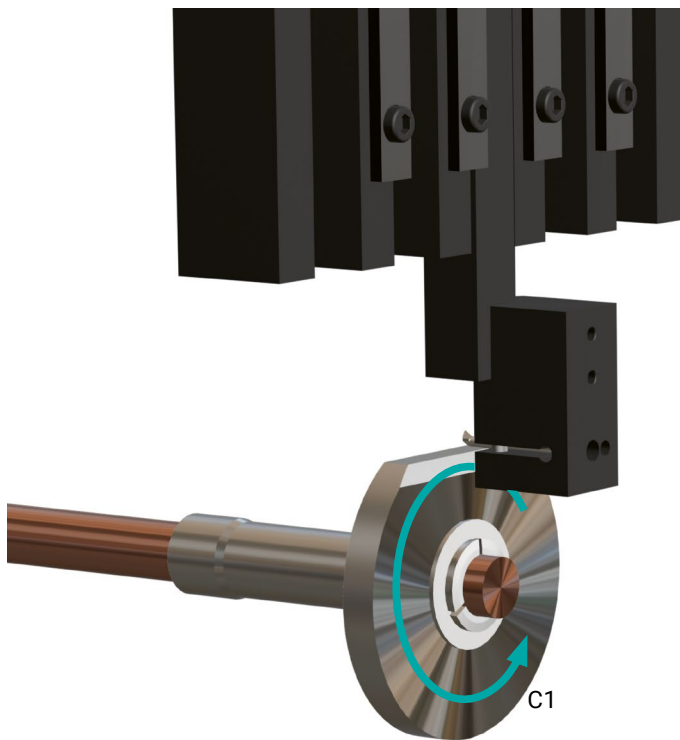


The stop surface (A) of the holder corresponds to the centre height of the tool.



αS	∅D	L	L <sub>1</sub>	L <sub>2</sub>	L <sub>3</sub>	B <sub>1</sub>	B <sub>2</sub>	H	Cooling (G)	Ref. N°
7	4	31	100	34	13	35	15	16	Ref. N° MTAA-0000	MTAR 07100/431
8	4	26	100	34	13	29	8	16	Ref. N° MTAA-0000	MTAR 08100/426
8	4	31	100	34	13	35	15	16	Ref. N° MTAA-0000	MTAR 08100/431
10	4	26	100	34	13	29	8	16	Ref. N° MTAA-0000	MTAR 10100/426
10	4	31	100	34	13	35	15	16	Ref. N° MTAA-0000	MTAR 10100/431
10	4	36	100	34	13	40	20	16	Ref. N° MTAA-0000	MTAR 10100/436
10	6	35	100	34	13	38	14	16	Ref. N° MTAA-0000	MTAR 10100/635
10	6	43	100	34	13	45	21	16	Ref. N° MTAA-0000	MTAR 10100/643
10	6	48	100	34	13	50	26	16	Ref. N° MTAA-0000	MTAR 10100/648
12	4	26	100	34	13	29	8	16	Ref. N° MTAA-0000	MTAR 12100/426
12	4	31	100	34	13	35	15	16	Ref. N° MTAA-0000	MTAR 12100/431
12	4	36	100	34	13	40	20	16	Ref. N° MTAA-0000	MTAR 12100/436
12	6	35	100	34	13	38	14	16	Ref. N° MTAA-0000	MTAR 12100/635
12	6	43	100	34	13	45	21	16	Ref. N° MTAA-0000	MTAR 12100/643
12	6	48	100	34	13	50	26	16	Ref. N° MTAA-0000	MTAR 12100/648
12	6	53	100	34	13	55	33	16	Ref. N° MTAA-0000	MTAR 12100/653
16	4	31	130	34	13	35	15	16	Ref. N° MTAA-0000	MTAR 16130/431
16	4	36	130	34	13	40	20	16	Ref. N° MTAA-0000	MTAR 16130/436
16	6	35	130	34	13	38	14	16	Ref. N° MTAA-0000	MTAR 16130/635
16	6	43	130	34	13	45	21	16	Ref. N° MTAA-0000	MTAR 16130/643
16	6	48	130	34	13	50	26	16	Ref. N° MTAA-0000	MTAR 16130/648
16	6	53	130	38	17	55	33	16	Ref. N° MTAA-0000	MTAR 16130/653
16	6	61	130	38	17	64	42	16	Ref. N° MTAA-0000	MTAR 16130/661
16	6	71	130	38	17	74	52	16	Ref. N° MTAA-0000	MTAR 16130/671

Dimensions in mm

**Full catalog available online**

Download the full Ifanger Swiss-Micro Turn catalog using the QR code or web address.  
The MTSC wrench is included with every holder.



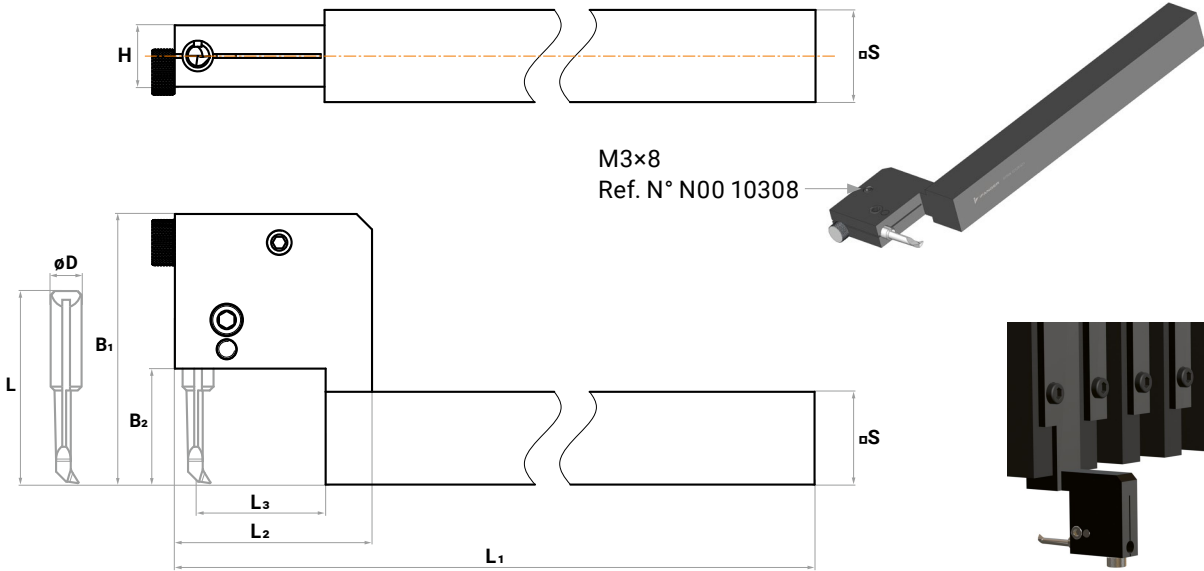
**Example order number: MTAR 07100/431**

[alouettetool.com/micro-i-d-boring-bars/](http://alouettetool.com/micro-i-d-boring-bars/)

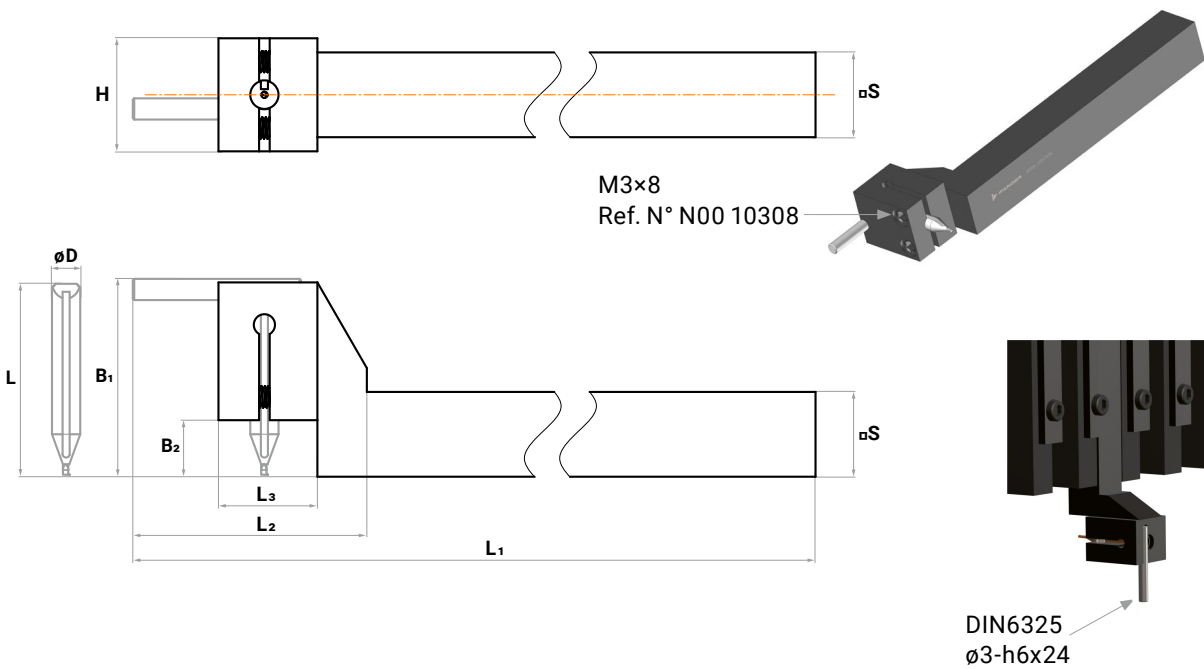
# MTAN

Cranked holders, neutral  
Tool insertion from the rear, for tight spaces

N° 1



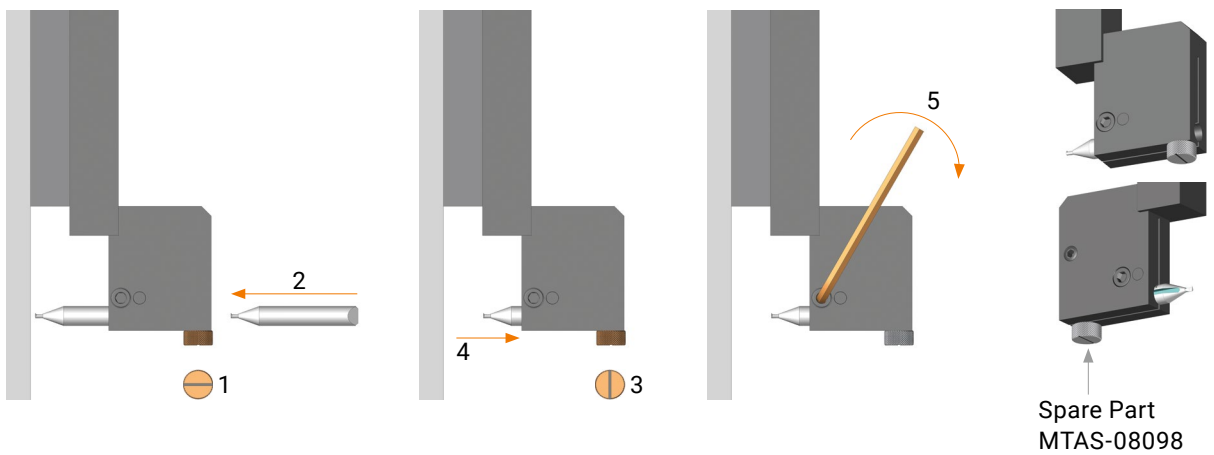
N° 2



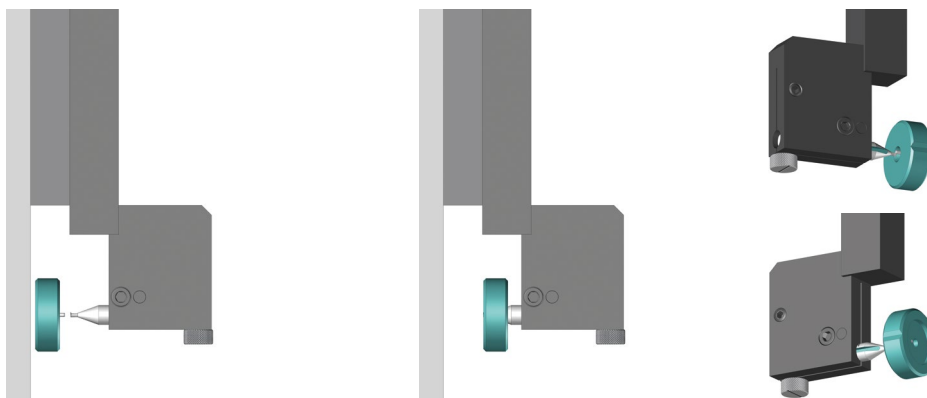
N°	□S	∅D	L	L <sub>1</sub>	L <sub>2</sub>	L <sub>3</sub>	B <sub>1</sub>	B <sub>2</sub>	H	Ref. N°
1	8	4	26	98	18.5	9.5	28.5	8	8	MTAN 08098/426
1	8	4	31	98	18.5	9.5	33.5	8	8	MTAN 08098/431
1	10	4	26	98	25.5	13.0	29.0	8	8	MTAN 10098/426
1	10	4	31	98	25.5	13.0	33.5	8	8	MTAN 10098/431
1	12	4	26	128	25.5	13.0	29.0	8	8	MTAN 12128/426
1	12	4	31	128	25.5	13.0	35.0	15	8	MTAN 12128/431
2	10	4	26	100	21.0	7.5	27.5	8	16	MTAN 10097/426
2	12	4	26	100	21.0	7.5	27.5	8	16	MTAN 12097/426

Dimensions in mm

## MTAN instructions



## Positioning tool MTAP-00426



Positioning tool MTAP-00426 and Allen key included in the scope of delivery.

### Full catalog available online

Download the full Ifanger Swiss-Micro Turn catalog using the QR code or web address.  
The MTSC wrench is included with every holder.

Example order number: MTAN 08098/426

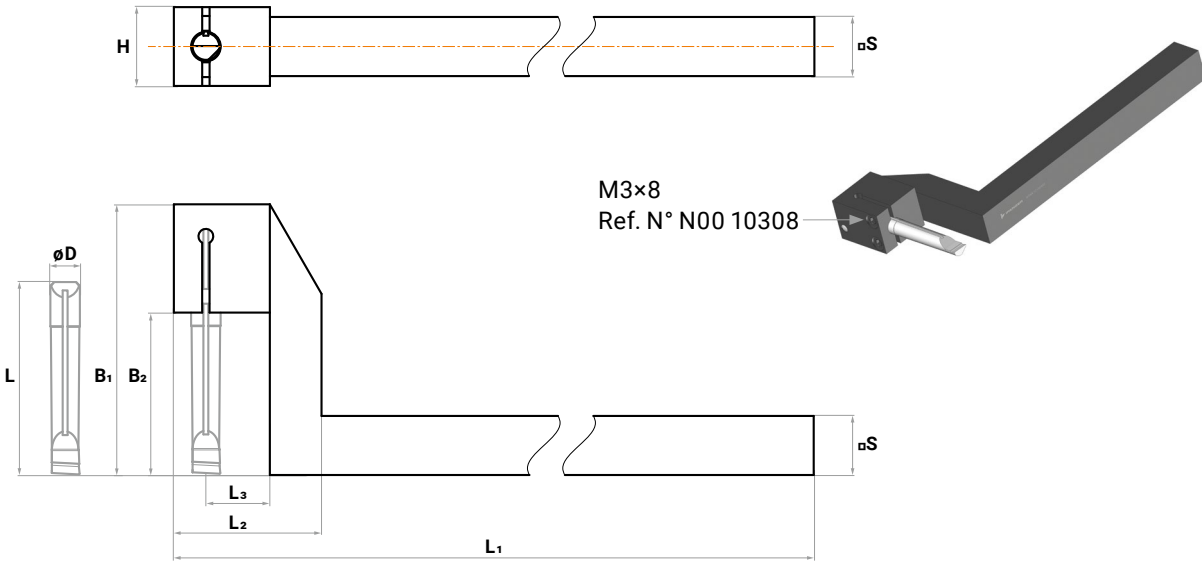


[alouettetool.com/micro-i-d-boring-bars/](http://alouettetool.com/micro-i-d-boring-bars/)

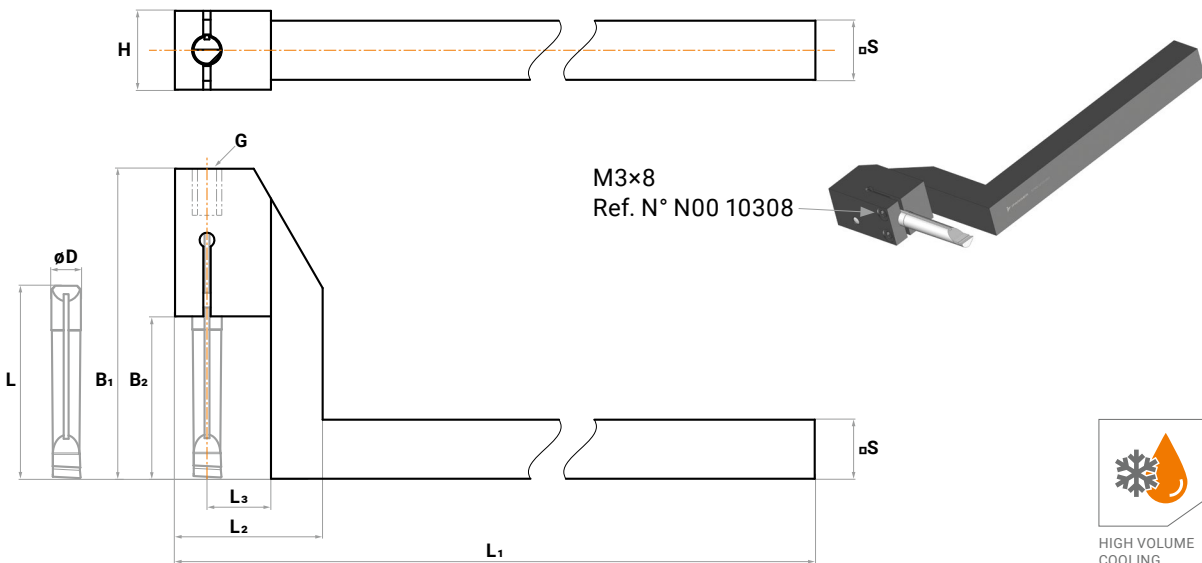
# MTAN

Cranked holders, neutral

N° 1



N° 2



N°	□S	∅D	L	L <sub>1</sub>	L <sub>2</sub>	L <sub>3</sub>	B <sub>1</sub>	B <sub>2</sub>	H	Cooling (G)	Ref. N°
1	8	4	26	100	21	7.5	29	8	16	-	MTAN 08100/426
1	8	4	31	100	21	7.5	35	15	16	-	MTAN 08100/431
1	10	4	26	100	21	7.5	29	8	16	-	MTAN 10100/426
1	10	4	31	100	30	13.0	35	15	16	-	MTAN 10100/431
1	10	4	36	100	30	13.0	40	20	16	-	MTAN 10100/436
1	10	6	35	100	30	13.0	37	14	16	-	MTAN 10100/635
1	10	6	43	100	30	13.0	45	21	16	-	MTAN 10100/643
1	10	6	48	100	30	13.0	50	26	16	-	MTAN 10100/648
1	12	4	26	130	21	7.5	29	8	16	-	MTAN 12130/426
1	12	4	31	130	30	13.0	35	15	16	-	MTAN 12130/431
1	12	4	36	130	30	13.0	40	20	16	-	MTAN 12130/436
1	12	6	35	130	30	13.0	37	14	16	-	MTAN 12130/635
1	12	6	43	130	30	13.0	45	21	16	-	MTAN 12130/643
1	12	6	48	130	30	13.0	50	26	16	-	MTAN 12130/648
1	12	6	53	130	30	13.0	55	30	16	-	MTAN 12130/653
2	12	4	31	130	30	13.0	43	15	16	G1/8"	MTAN 12131/431
2	12	4	36	130	30	13.0	48	20	16	G1/8"	MTAN 12131/436
2	12	6	43	130	30	13.0	53	21	16	G1/8"	MTAN 12131/643
2	12	6	48	130	30	13.0	58	26	16	G1/8"	MTAN 12131/648
2	12	6	53	130	30	13.0	63	33	16	G1/8"	MTAN 12131/653
2	12	4	31	130	30	19.5	37	15	16	M12×1.5	MTAN 12132/431
1	16	4	31	130	34	13.0	35	15	16	-	MTAN 16130/431
1	16	4	36	130	34	13.0	40	20	16	-	MTAN 16130/436
1	16	6	35	130	34	13.0	37	14	16	-	MTAN 16130/635
1	16	6	43	130	34	13.0	45	21	16	-	MTAN 16130/643
1	16	6	48	130	34	13.0	50	26	16	-	MTAN 16130/648
1	16	6	53	130	38	17.0	55	33	16	-	MTAN 16130/653
1	16	6	61	130	38	17.0	64	42	16	-	MTAN 16130/661
1	16	6	71	130	38	17.0	74	52	16	-	MTAN 16130/671
2	16	4	31	130	34	13.0	43	15	16	G1/8"	MTAN 16131/431
2	16	4	36	130	34	13.0	48	20	16	G1/8"	MTAN 16131/436
2	16	6	43	130	34	13.0	53	21	16	G1/8"	MTAN 16131/643
2	16	6	48	130	34	13.0	58	26	16	G1/8"	MTAN 16131/648
2	16	6	53	130	40	17.0	63	33	16	G1/8"	MTAN 16131/653
2	16	4	31	130	30	19.5	37	15	16	G1/8"	MTAN 16132/431

Dimensions in mm

**Full catalog available online**

Download the full Ifanger Swiss-Micro Turn catalog using the QR code or web address.  
The MTSC wrench is included with every holder.

**Example order number: MTAN 08100/426**



[alouettetool.com/micro-i-d-boring-bars/](http://alouettetool.com/micro-i-d-boring-bars/)